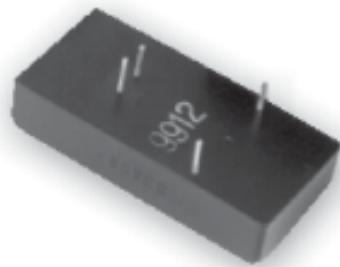


10 Watt

2x1 Inch Package B 4:1 Input Range - Metal Case



- o 4:1 Input Range
- o Pi Input Filter
- o Regulated Output
- o Efficiency up to 82%
- o Continuous Short Circuit Protection
- o Conductive EMI/RFI Meets EN55022 Class A



MODEL NUMBER	INPUT VOLTAGE	OUTPUT VOLTAGE	OUTPUT CURRENT	INPUT CURRENT		%EFF
				NO LOAD	FULL LOAD	
10BRS24X3.3LC	9-36 VDC	3.3 VDC	2000 mA	15 mA	362 mA	76
10BRS24X5LC		5 VDC	2000 mA		534 mA	78
10BRS24X12LC		12 VDC	830 mA		520 mA	80
10BRS24X15LC		15 VDC	666 mA			
10BRD24X5LC		±5 VDC	±1000 mA			
10BRD24X12LC		±12 VDC	±415 mA			
10BRD24X15LC		±15 VDC	±333 mA			
10BRS48X3.3LC	18-72 VDC	3.3 VDC	2000 mA	10 mA	181 mA	76
10BRS48X5LC		5 VDC	2000 mA		260 mA	80
10BRS48X12LC		12 VDC	830 mA		257 mA	81
10BRS48X15LC		15 VDC	666 mA			
10BRD48X5LC		±5 VDC	±1000 mA			
10BRD48X12LC		±12 VDC	±415 mA			
10BRD48X15LC		±15 VDC	±333 mA	15 mA	253 mA	82
			257 mA		81	
			253 mA		82	

SPECIFICATIONS

All Specifications Typical At Nominal Line, Full Load, and 25°C Unless Otherwise Noted

INPUT SPECIFICATIONS

Input Voltage Range	4:1
Input Filter	Pi Type

OUTPUT SPECIFICATIONS

Voltage Accuracy	±1% max.
Voltage Balance Dual Output at Full Load	±1% max.
Transient Response Single: 25% Step Load Change Dual: Full Load to 1/2 Load ±1% Error Band	<500 µsec
Temperature Coefficient	±0.02%/°C max.
Ripple and Noise, 20MHz BW	75 mV p-p max.
Short Circuit Protection	Continuous
Line Regulation ¹⁾	±0.2% max.
Load Regulation ²⁾	±1.0% max.

1) Line Regulation measured from High Line to Low Line.

2) Load Regulation measured from Full Load to 1/4 Load.

GENERAL SPECIFICATION

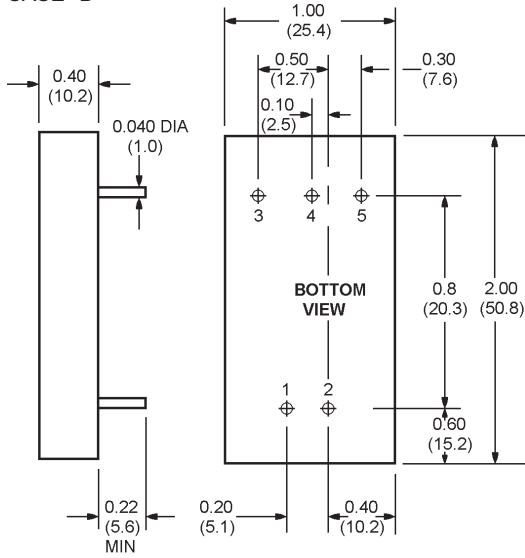
Efficiency	see table
Isolation Voltage	500 VDC
Isolation Resistance	1000 Mohms
Switching Frequency	300 kHz
Operating Temperature Range	-25°C to +71°C
Storage Temperature Range	-40°C to +100°C
Case Temperature	+100°C max.
Cooling	Free-Air Convection
Derating >+71°C	-3.5%/°C
EMI/RFI	EN55022 Class A Six-Sided Continuous Shield
Case Material	Black Coated Copper with Non-Conductive Base
Case Dimensions	2.0 x 1.0 x 0.4 Inches (50.8 x 25.4 x 10.2 mm)
MTBF (MIL-HDBK-217F)	min. 988.000 hrs

SPECIFICATIONS

All Specifications Typical At Nominal Line, Full Load, and 25°C Unless Otherwise Noted

MECHANICAL SPECIFICATIONS

CASE "B"



All Dimensions in Inches (mm)
Tolerance: x.xx = ±0.04 x.xxx = ±0.010

PIN CONNECTIONS		
PIN	SINGLE	DUAL
1	+INPUT	+INPUT
2	-INPUT	-INPUT
3	+OUTPUT	+OUTPUT
4	NO PIN	COMMON
5	-OUTPUT	-OUTPUT

NOTICE:
The information in this document has been carefully checked. However, no responsibility is assumed for inaccuracies! Specifications can be changed without notice. The latest and most complete information can be found on our website.