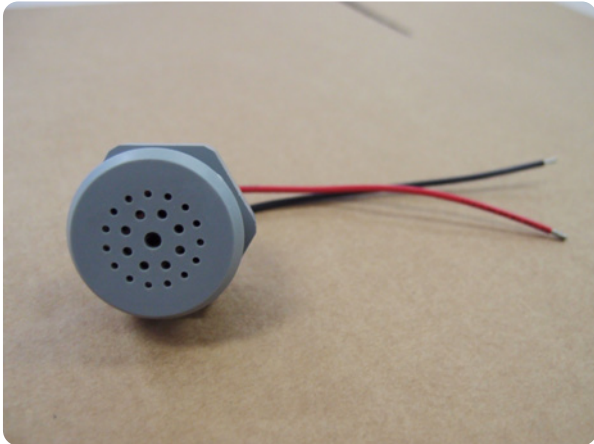


SRA Series

Robust Applications

STANDARD SERIES



The **Sonitron Robust Application** standard series are an important extension of the Standard series.

A superior Life Time has been obtained with a very large DC voltage range from 5Vdc up to 80Vdc. Equipped with 16 AWG wires this buzzer can be used in any harsh industrial environment.

Sonitron expanded with this series a wide application field and strong reliability, especially recommended in critical applications and life support systems.

**ADVANTAGES & APPLICATIONS**

**ADVANTAGES :**

- Up to 80Vdc
- Solid state shock proof buzzer
- Life time > 2000 hours
- Very low power consumption (typical 15mA@12Vdc)
- Wrong polarity protected
- Panel mounting, O-ring included
- 16 AWG wire connections (14cm)
- High reliability

- IP67, Dust and waterproof
- Temperature range -40°C to +85°C

**APPLICATIONS :**

- Industrial
- Automotive Vehicles
- Process & Alarm equipment
- Security & Burglar alarms

**SPECIFICATIONS**



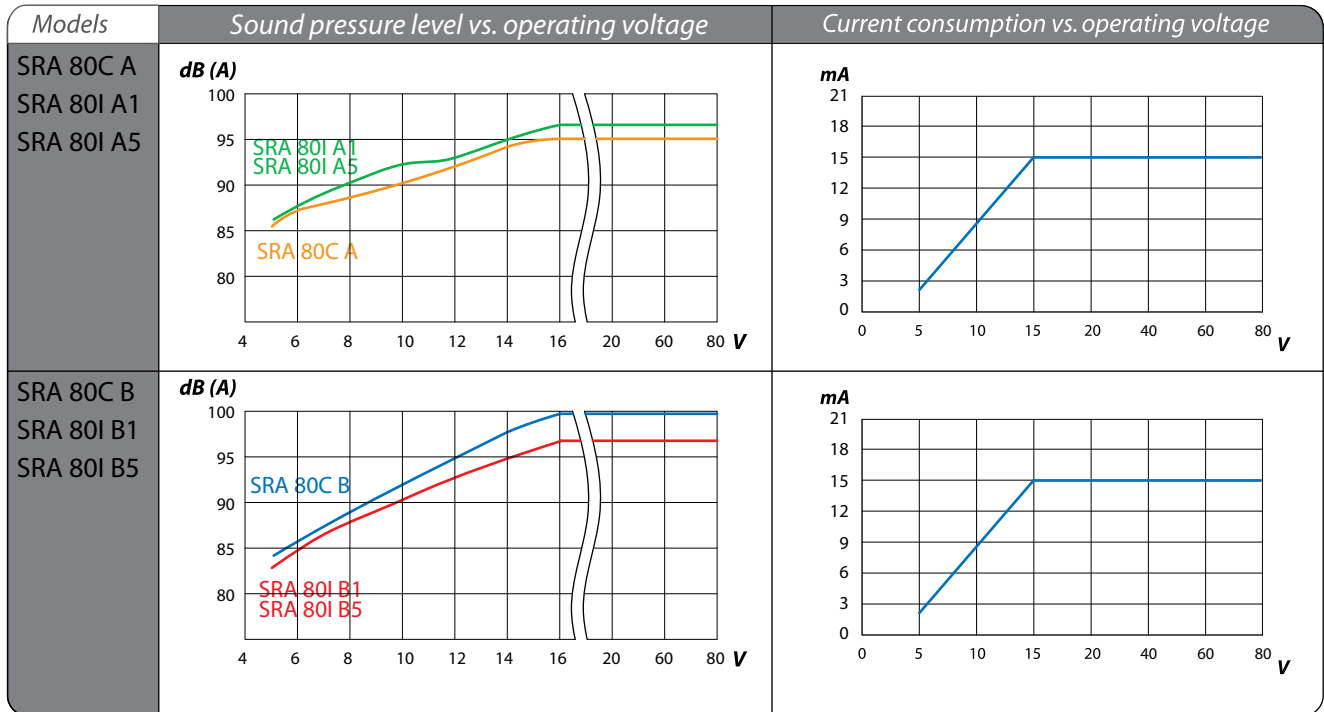
*\*All measurements are made @ 1 meter @ 12Vdc in free air @ 21°C*

| Model      | Function  | MIN Vdc | MAX Vdc | Frequency +/- 15% (Hz) | Pulse Rate (Hz) | SPL dB(A) +/-4dB @1m@12Vdc* |
|------------|-----------|---------|---------|------------------------|-----------------|-----------------------------|
| SRA 80C A  | Contin.   | 5V      | 80V     | 2500                   | -               | 93                          |
| SRA 80I A1 | Intermit. | 5V      | 80V     | 2500                   | 1               | 92                          |
| SRA 80I A5 | Intermit. | 5V      | 80V     | 2500                   | 5               | 92                          |
| SRA 80C B  | Contin.   | 5V      | 80V     | 3500                   | -               | 95                          |
| SRA 80I B1 | Intermit. | 5V      | 80V     | 3500                   | 1               | 94                          |
| SRA 80I B5 | Intermit. | 5V      | 80V     | 3500                   | 5               | 94                          |

|                         |   |
|-------------------------|---|
| Operating temperature   | -40°C to +85°C  |
| Storage temperature     | -40°C to +85°C  |
| Life Time (@21°C)       | @12Vdc continuous use min. 2000 hours (expected life time curve see catalogue p138) |
| Case Material           | ABS (UL rating: 94HB)   |
| Standard colour of case | Grey  |
| Weight                  | 34g   |
| Max current consumption | 15mA  |
| Wire                    | 16 AWG, 14cm  |

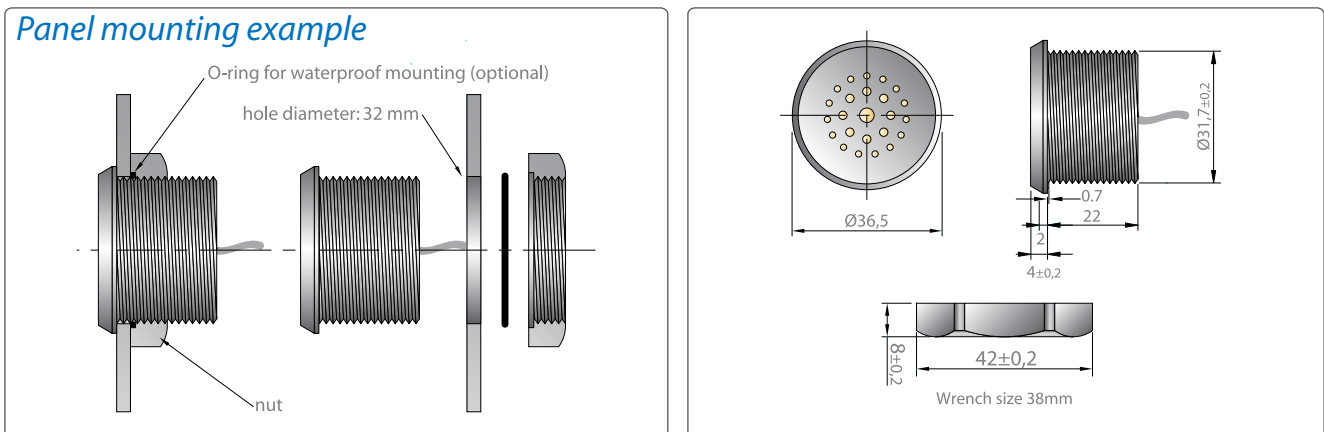
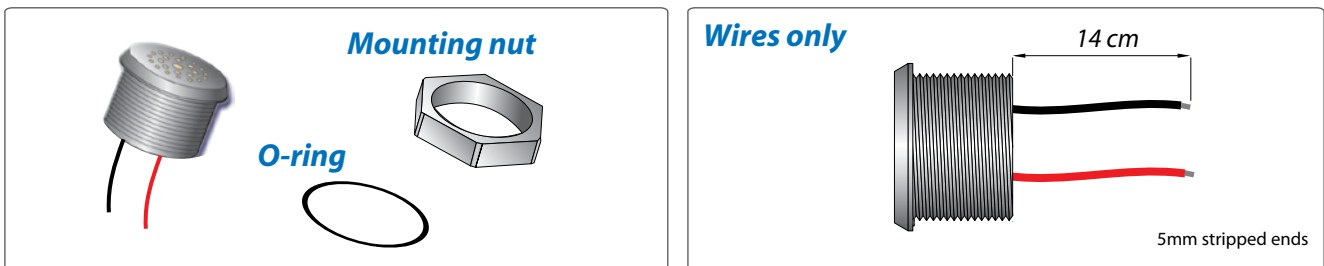
## ELECTRICAL PARAMETERS

The buzzer starts sounding from 5Vdc. The sound output increases with raising voltage up to 15Vdc. From 15Vdc to maximum voltage of 80Vdc the sound output remains the same.



All measurements are made @ 12Vdc @ 1 meter in free air @ 21°C.

## DIMENSIONS (All dimensions are in mm)



## LIST OF AVAILABLE PRODUCT TYPES

|           |            |            |
|-----------|------------|------------|
| SRA 80C A | SRA 80I A1 | SRA 80I A5 |
| SRA 80C B | SRA 80I B1 | SRA 80I B5 |