

100 Watt

AC/DC - Driver
LED - Series



- o AC Input Voltage Range 180 - 264 VAC
- o Constant Voltage Design
- o Low Power Consumption @ No Load 0.5 W
- o Built-in active PFC function
- o Low Profile for Easy Installation 18.2 mm Height, 30 mm Narrow Width
- o Over Load, Short Circuit, Over Temperature Protection
- o Suitable for Indoor Lighting and DIN Lighting Rail
- o ErP2 Compliant
- o 2 Years Warranty



IP20

CE



SELV-equivalent

MODEL NUMBER	OUTPUT CURRENT	OUTPUT RATED VOLTAGE	OUTPUT VOLTAGE TOLERANCES	OUTPUT VOLTAGE OPEN CIRCUIT	RIPPLE & NOISE (MAX.)	OUTPUT RATED POWER	EFF % MIN.
	MAX.						
FVPS100P-12	8.33 A	12 VDC	±5%	<13 VDC	<500 mV p-p	100 W max.	90
FVPS100P-24	4.17 A	24 VDC		<26 VDC	<600 mV p-p		

SPECIFICATIONS

All Specifications Typical At Input rated Voltage, Output max. rated Load and 25°C Unless Otherwise Noted

INPUT SPECIFICATIONS

Input Voltage Range	Rated including Tolerances	200-240 VAC 180-264 VAC
Frequency		50 to 60 Hz
Input Current		<0.7 A
Input Power		<118 W
Power Consumption	@ No Load	<0.5 W
Power Factor	active PFC, two-stage	≥0.90
Inrush Current		<75 A Peak

OUTPUT SPECIFICATIONS

Output Power		100 W max.
Line Regulation		±1% max.
Load Regulation		±2% max.
Rated Output Voltage Tolerance		±5%
Startup Time	@230 V 50 Hz	<0.5 Sec.
Open Circuit Protection	Ta, Input 0.94-1.06 times of rated Voltage Output 2 times of rated Load	Yes Automatically Restart
Over Load Protection	Input 0.94-1.06 times rated Voltage Output 2 times rated Load	Yes Automatically Restart
Short Circuit Protection	Input 0.94-1.06 times rated Voltage Output Short Circuit for 1 hour	Yes Automatically Restart
Over Temperature Protection	Before Tcase reaches +115°C	Yes Automatically Restart

SPECIFICATIONS

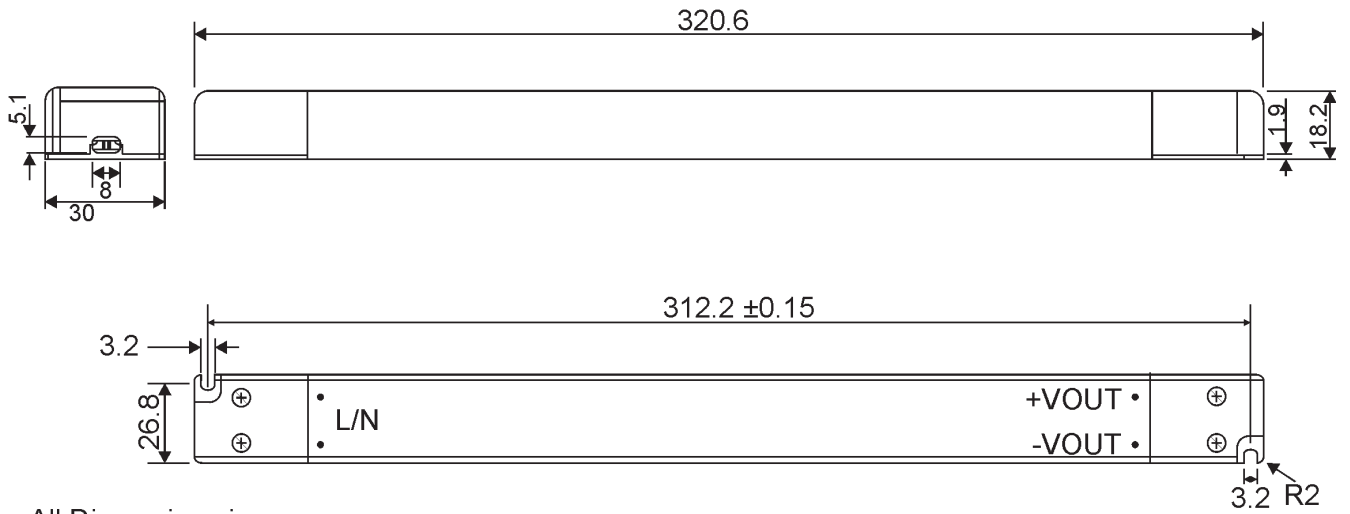
All Specifications Typical At Input rated Voltage, Output max. rated Load and 25°C Unless Otherwise Noted

GENERAL SPECIFICATION		
Efficiency		≥90%
Working Temperature		-20 to +45°C
Case Temperature		+85°C max.
Relative Humidity		45% to 85%
Lifetime	max. Ta, rated Input Voltage, max. Output rated Load	30000 hrs
Working Noise	background noise <30 dB, @10 cm distance	<35 dB
Output Wire Length Recommendation		2 m max.
IP Rating		IP20
Mounting		Independent
Input Connection		H03VVH2-F 2 x 0.75 mm ²
Output Connection		H05VVH2-F 2 x 1.0 mm ²
Anti-Electric Shock		Class 2
Safety		EN61347-1, EN61347-2-13
Harmonic	input rated Voltage, max. rated Load	EN61000-3-2
EMC - Interference	input rated Voltage, Load is typical lights	IEC55015
EMC - Anti Interference	input rated Voltage, Load is lights	IEC61547
Qualification		F and MM Mark
Cover Material		Polycarbonate
Dimensions		320.6 x 30 x 18.2 mm
Weight		195 g
Packing Units		50 pcs

SPECIFICATIONS

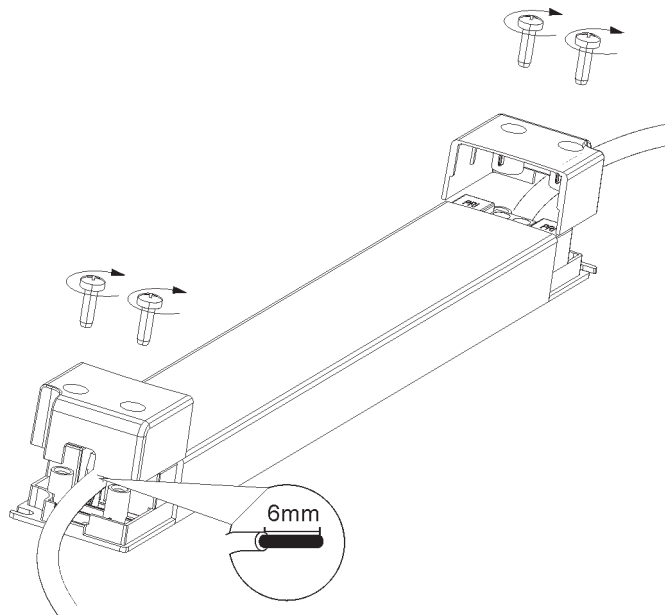
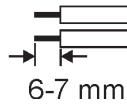
All Specifications Typical At Input rated Voltage, Output max. rated Load and 25°C Unless Otherwise Noted

MECHANICAL SPECIFICATIONS



All Dimensions in mm.

Wire Preparation



NOTICE:
 The information in this document has been carefully checked. However, no responsibility is assumed for inaccuracies!
 Specifications can be changed without notice. The latest and most complete information can be found on our website.