

150 Watt

AC/DC - Driver
LED - Series



- o AC Input Voltage Range 200 - 240 VAC
- o Built-in active PFC function
- o Low Profile for Easy Installation 21.5 mm Height, 30.1 mm Narrow Width
- o Over Load, Short Circuit, Over Temperature Protection
- o Suitable for Indoor Lighting and DIN Lighting Rail
- o ErP2 Compliant
- o 2 Years Warranty

IP20 CE



SELV-equivalent

MODEL NUMBER	OUTPUT CURRENT	OUTPUT RATED VOLTAGE	OUTPUT VOLTAGE TOLERANCES	RIPPLE & NOISE (MAX.)	OUTPUT RATED POWER	EFF % MIN.
	MAX.					
FVPS150P-12	11.0 A	12 VDC	±5%	150 mV p-p	150 W max.	90
FVPS150P-24	6.25 A	24 VDC		240 mV p-p		

SPECIFICATIONS

All Specifications Typical At Input rated Voltage, Output max. rated Load and 25°C Unless Otherwise Noted

INPUT SPECIFICATIONS

Input Voltage Range	Ta	200-240 VAC
Frequency		50 to 60 Hz
Input Current		<1 A
Input Power		<170 W
Power Consumption	@ No Load	<0.21 W (Average)
Power Factor		≥0.90
Inrush Current		<60 A Peak

OUTPUT SPECIFICATIONS

Output Power		150 W max.
Line Regulation		3%
Load Regulation		3%
Rated Output Voltage Tolerance		±5%
Startup Time		<0.5 Sec.
Over Load Protection	Ta 0.94-1.06 times rated Voltage Output 1.6 times rated power	Yes Auto recovery
Short Circuit Protection	Ta 0.94-1.06 times of input voltage	Yes Auto recovery
Over Temperature Protection	Ta 0.94-1.06 times of input voltage, temperature point detected more than 115°	Yes Shut down o/p voltage, re-power on to recover
Over Voltage Protection	Ta 0.94-1.06 times rated Voltage Output 1.5 times rated power	Yes Shut down o/p voltage, re-power on to recover

SPECIFICATIONS

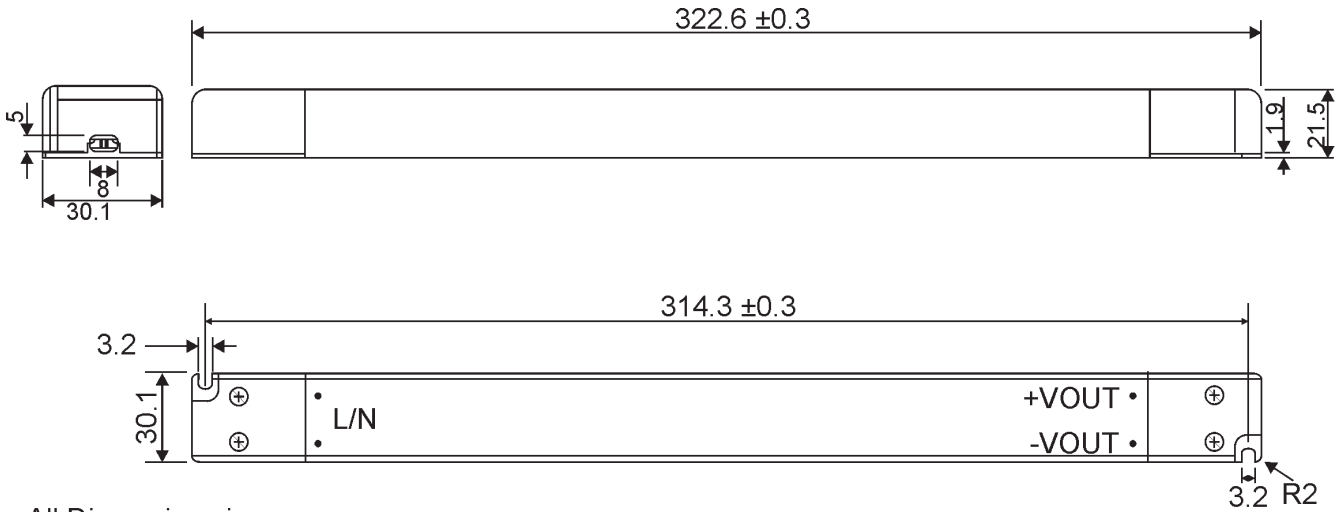
All Specifications Typical At Input rated Voltage, Output max. rated Load and 25°C Unless Otherwise Noted

GENERAL SPECIFICATION		
Efficiency		≥90%
Working Temperature		-20 to +45°C
Case Temperature		+90°C max.
Relative Humidity		45% to 85%
Lifetime	max. Ta, rated Input Voltage, max. Output rated Load	30000 hrs
Working Noise	background noise <35 dB, @10 cm distance	Yes
IP Rating		IP20
Mounting		Independent
Input Connection		Terminal Block for H03VVH2-F 2 x 0.75 mm ²
Output Connection		Terminal Block for H05VVH2-F 2 x 1.00 mm ²
Anti-Electric Shock		Class 2
Safety		IEC61347-1, IEC61347-2-13
Harmonic		EN61000-3-2 Class C
EMI		EN55015
EMS		EN61000-4-2 EN61000-4-3, EN61000-4-4, EN61000-4-5, EN61000-4-6, EN61547
Cover Material		Polycarbonate
Dimensions		322.6 x 30.1 x 21.5 mm
Weight		255 g
Packing Units		20 pcs

SPECIFICATIONS

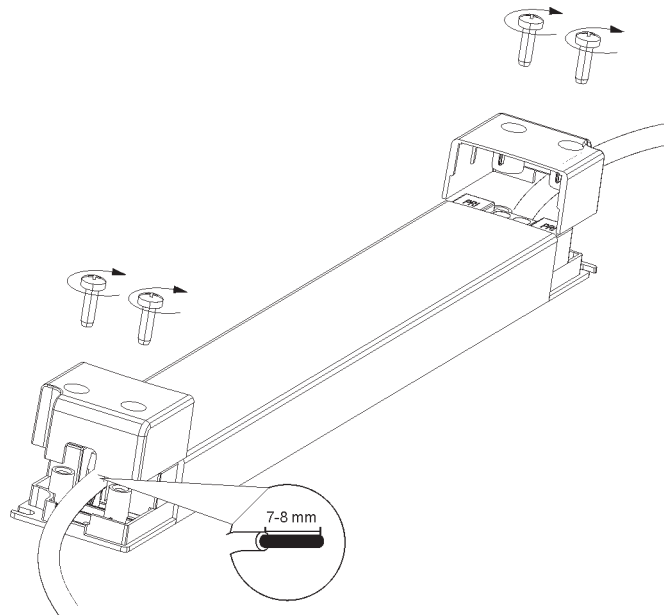
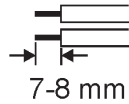
All Specifications Typical At Input rated Voltage, Output max. rated Load and 25°C Unless Otherwise Noted

MECHANICAL SPECIFICATIONS



All Dimensions in mm.

Wire Preparation



NOTICE:
The information in this document has been carefully checked. However, no responsibility is assumed for inaccuracies! Specifications can be changed without notice. The latest and most complete information can be found on our website.