

60 Watt

AC/DC - Driver LED - Series



- o AC Input Voltage Range 180 - 264 VAC
- o Constant Voltage Design
- o Low Power Consumption @ No Load 0.5 W
- o Built-in active PFC function
- o Low Profile for Easy Installation 16.7 mm Height, 30 mm Narrow Width
- o Over Load, Short Circuit, Over Temperature Protection
- o Suitable for Indoor Lighting and DIN Lighting Rail IP20 Standard Version
- o Suitable for Outdoor Application IP66-Version Full potted add Suffix „P66“
- o ErP2 Compliant
- o 2 Years Warranty



IP20/IP66 CE



SELV-equivalent

MODEL NUMBER	OUTPUT CURRENT ¹⁾	OUTPUT RATED VOLTAGE	OUTPUT VOLTAGE TOLERANCE	OUTPUT VOLTAGE OPEN CIRCUIT	RIPPLE & NOISE (MAX.)	OUTPUT RATED POWER	EFF % MIN.
	MAX.						
FVPS60P-12	5 A	12 VDC	±5.0%	<13 VDC	<500 mV p-p	60 W max.	≥88%
FVPS60P-24	2.5 A	24 VDC		<26 VDC	<600 mV p-p		

SPECIFICATIONS

All Specifications Typical At Input rated Voltage, Output max. rated Load and 25°C Unless Otherwise Noted

INPUT SPECIFICATIONS

Input Voltage Range	Rated including Tolerances	200 to 240 VAC 180 to 264 VAC
Frequency		50/60 Hz
Input Current		<0.5 A
Input Power		<75 W
Power Consumption	@ No Load	0.5 W
Power Factor		≥0.90
Inrush Current		<75 A Peak

OUTPUT SPECIFICATIONS

Output Power		60 W max.
Line Regulation		≤ ±3%
Load Regulation		≤ ±1%
Rated Output Voltage Tolerance		±5.0%
Startup Time ¹⁾	@230 VAC 50 Hz	<0.5 Sec.
Open Circuit Protection	@ No Load	Yes Automatically Restart
Over Load Protection	Input 0.94-1.06 times rated Voltage Output 2 times rated Load	Yes Automatically Restart
Short Circuit Protection	Input 0.94-1.06 times rated Voltage Output Short Circuit for 1 hour	Yes Automatically Restart
Over Temperature Protection ⁵⁾	Before T _{case} Reaches +115°C	Automatically Restart

NOTE:

1. Including the Turn-on Delay Time and Rise Time.

SPECIFICATIONS

All Specifications Typical At Input rated Voltage, Output max. rated Load and 25°C Unless Otherwise Noted

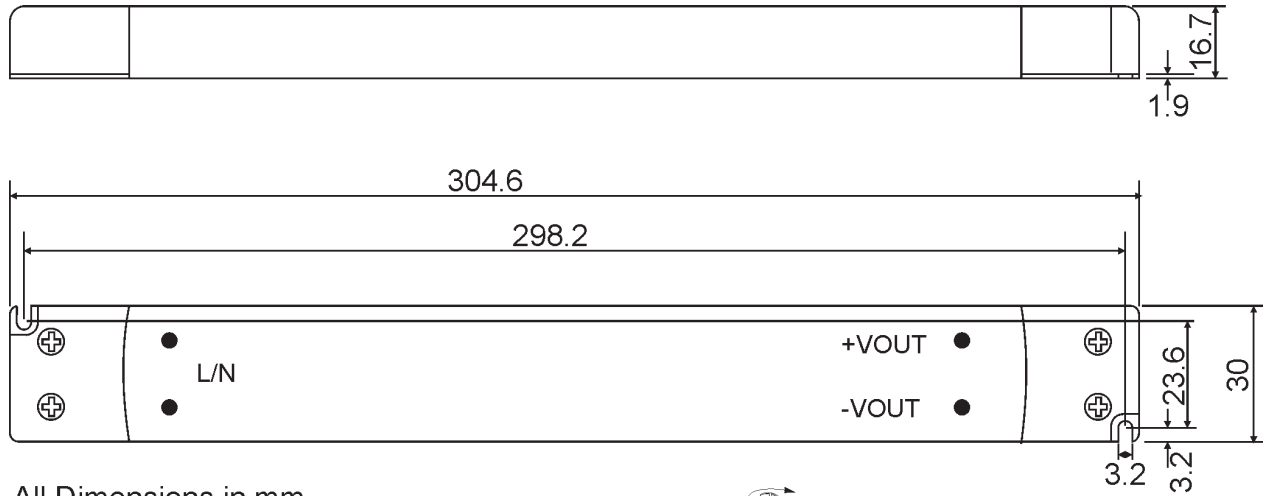
GENERAL SPECIFICATION			
Efficiency			see table
Working Temperature			-20 to +45°C
Case Temperature			+80°C max. (<90°C)
Relative Humidity			45% to 85%
Lifetime			30000 hrs
Working Noise	25°C, Input rated Voltage, Output rated Load background noise <30 dB, @10 cm distance		<35 dB
Output Wire Length Recommendation		for Standard Version IP20	2 m max.
IP Rating	Standard Version Suffix "P66"		IP20 IP66
Input Connection Suffix "IP66"	single	terminal block	H03VVH2-F 2 x 0.75 mm ² H05RN-F 2*1.0 mm ²
Output Connection Suffix "IP66"	single	terminal block	H03VVH2-F 2 x 0.75 mm ² SVT 18AWG
Anti-Electric Shock			Class 2 No Ground
Safety			IEC61347-1, IEC61347-2-13 (with light IEC60598)
Harmonic			IEC61000-3-2 Class C -lighting equipment
EMC - Emission	input rated Voltage, Load is typical light		IEC55015
EMC - Immunity	input rated Voltage, Load is typical light		IEC61547
Qualification			F and MM Mark
Cover Material			Polycarbonate
Potting Material			Silica Gel
Dimensions	Standard Version Suffix "P66"		304.6 x 30 x 16.7 mm 297 x 30 x 16.7 mm
Weight	Standard Version Suffix "P66"		172 g 296 g

SPECIFICATIONS

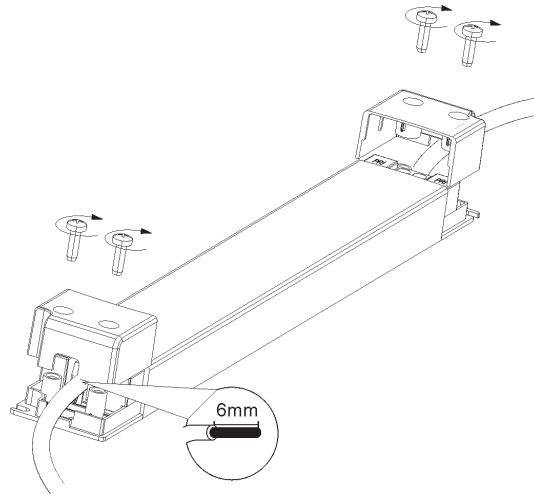
All Specifications Typical At Input rated Voltage, Output max. rated Load and 25°C Unless Otherwise Noted

MECHANICAL SPECIFICATIONS

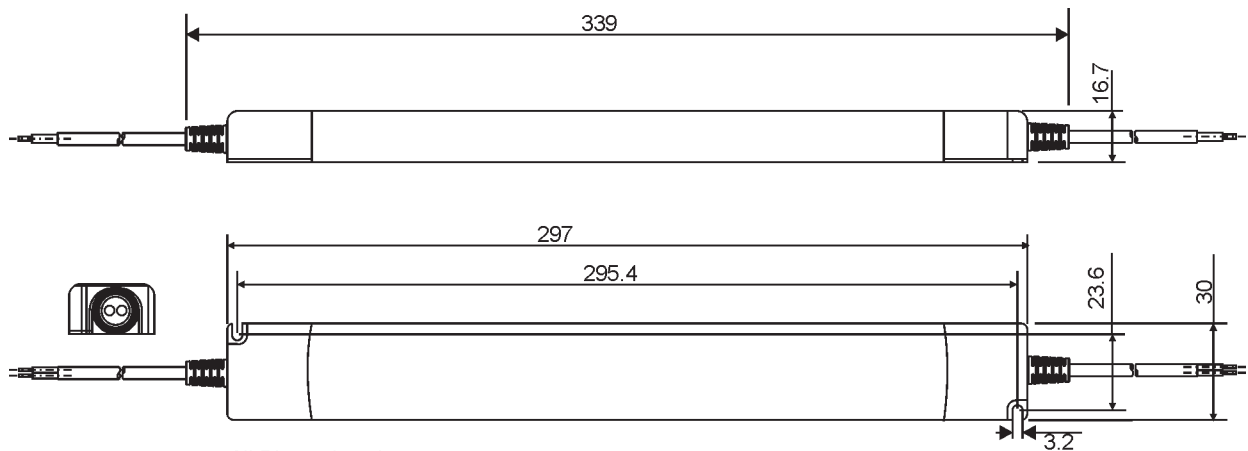
Standard Version „IP20“



All Dimensions in mm.



Suffix „P66“



All Dimensions in mm.

NOTICE:
The information in this document has been carefully checked. However, no responsibility is assumed for inaccuracies!
Specifications can be changed without notice. The latest and most complete information can be found on our website.